

# ASSEMBLY INSTRUCTION

## IMPORTANT

For service purpose, please do not remove the customer service code label on the merchandise. It is on the underside of the bed.



## WARNING



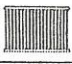






- To help prevent serious or fatal injuries from entrapment or falls.
- Never allow a child under 6 years on upperbunk.
  - Use only mattress that is 74"-75" long and 38-1/2" wide on upper bunk.
  - Ensure thickness of mattress and foundation combined does not exceed 6" and that mattress surface is at least 5" below upper edge of guardrails.
  - Use guardrails on both side of upper bunk.
  - Prohibit horseplay on or under bed(s).
  - Prohibit more than two persons on upperbunk.
  - Use the ladder for entering and leaving upper bunk.
  - Strangulation Hazard- Never attach or hang items to any part of the bunk bed that are not designed for use with the bed; for example, but not limited to, hooks belts and jump ropes.

DO NOT REMOVE THIS LABEL











## TWIN/FULL BUNK BED

Note: This item not recommended for commercial use  
 Keep this document for reference in case parts are needed  
 Do not tighten all bolts until the bed is assembled completely.  
 Hardware pack attached in the package in red plastic bag.

## PARTS LIST

1		Left Side Frame	1pc
2		Right Side Frame	1pc
3		Upper Slats Frame	1pc
4		Down Slats Frame	1pc
5		Upper Side Rails	2pcs
6		Side Legs	2pcs
7		Center Legs	2pcs
8		Round Units	4pcs
9		Square Units	2pcs

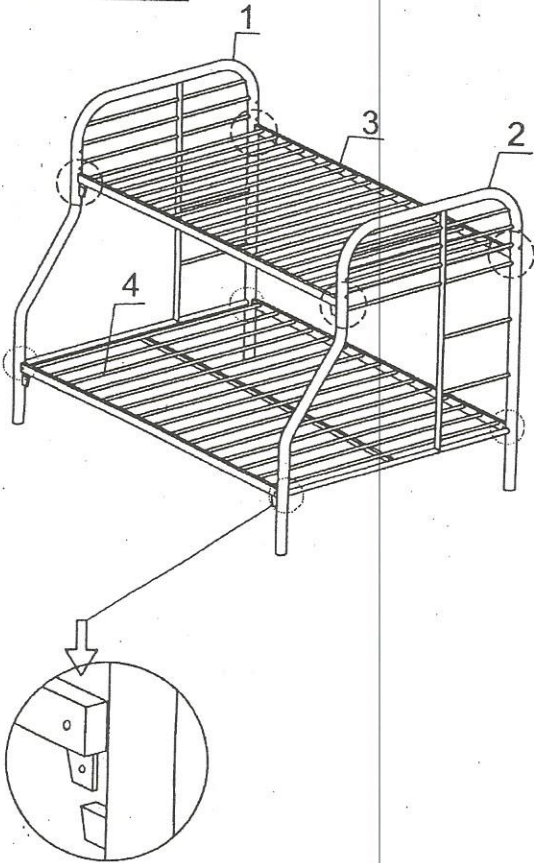
## HARDWARE LIST

A		5/16" x80 Bolts	12 pcs
B		5/16" x40 Bolts	6pcs
C		1/4" x30 Bolts	2 pcs
D		1/4" x12 Bolts	8pcs
E		5/16"	4pcs
F		5/16"Nuts	14pcs
G		5/16" Washer	12pcs
H		5/16" Open Wrench	1pc
I		m5 Allen Wrench	1pc
J		m4 Allen Wrench	1pc

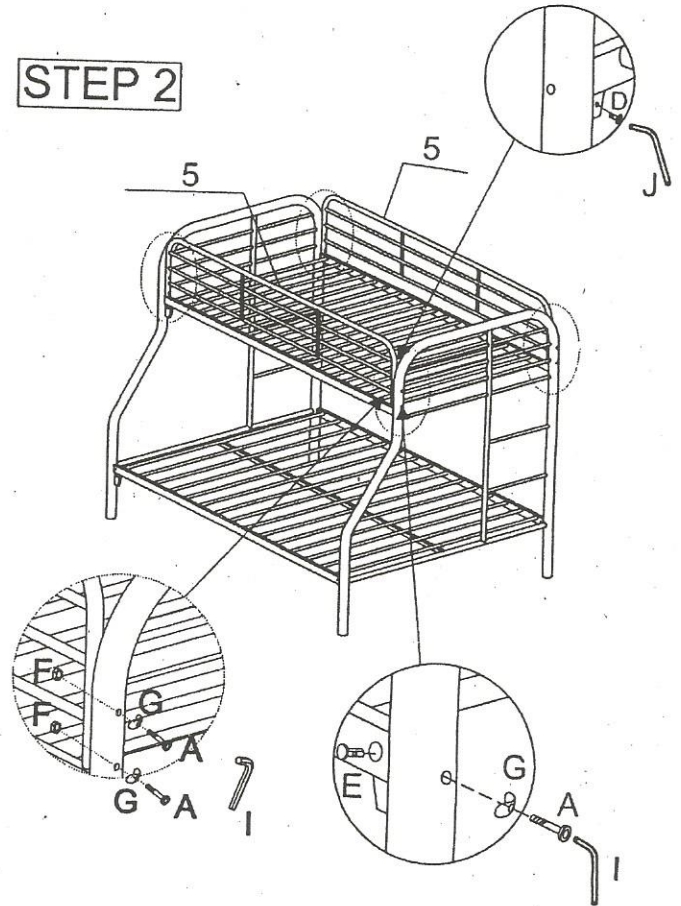
# ASSEMBLY CONTINUE

Note: This item not recommended for commercial use  
Keep this document for reference in case parts are needed  
Do not tighten screws until completely assembled!

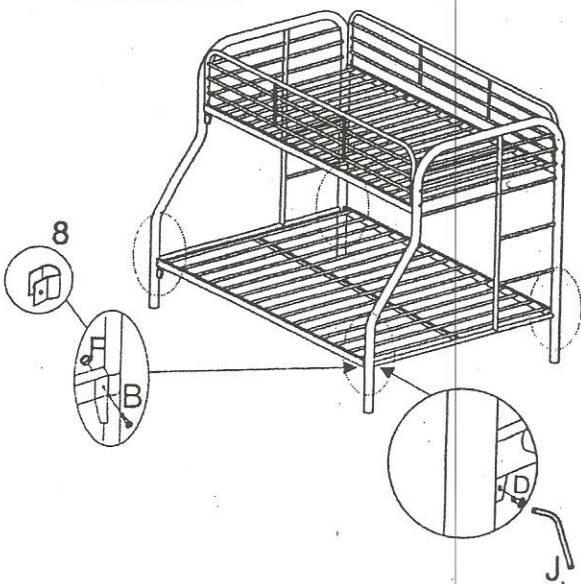
## STEP 1



## STEP 2



## STEP 3



## STEP 4

