

# ASSEMBLY INSTRUCTIONS






**GROUP NO.: 94250 WESTERLY**

**ITEM NO.: 94251 BED, 5/0 UPH**

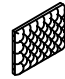
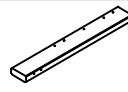
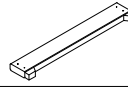
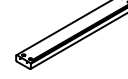


DEAR CUSTOMER,

Caution: Please read all instructions before assembly and check the carton for any parts that may have come loose during shipment. It is recommended to use two or more persons during the assembly process.

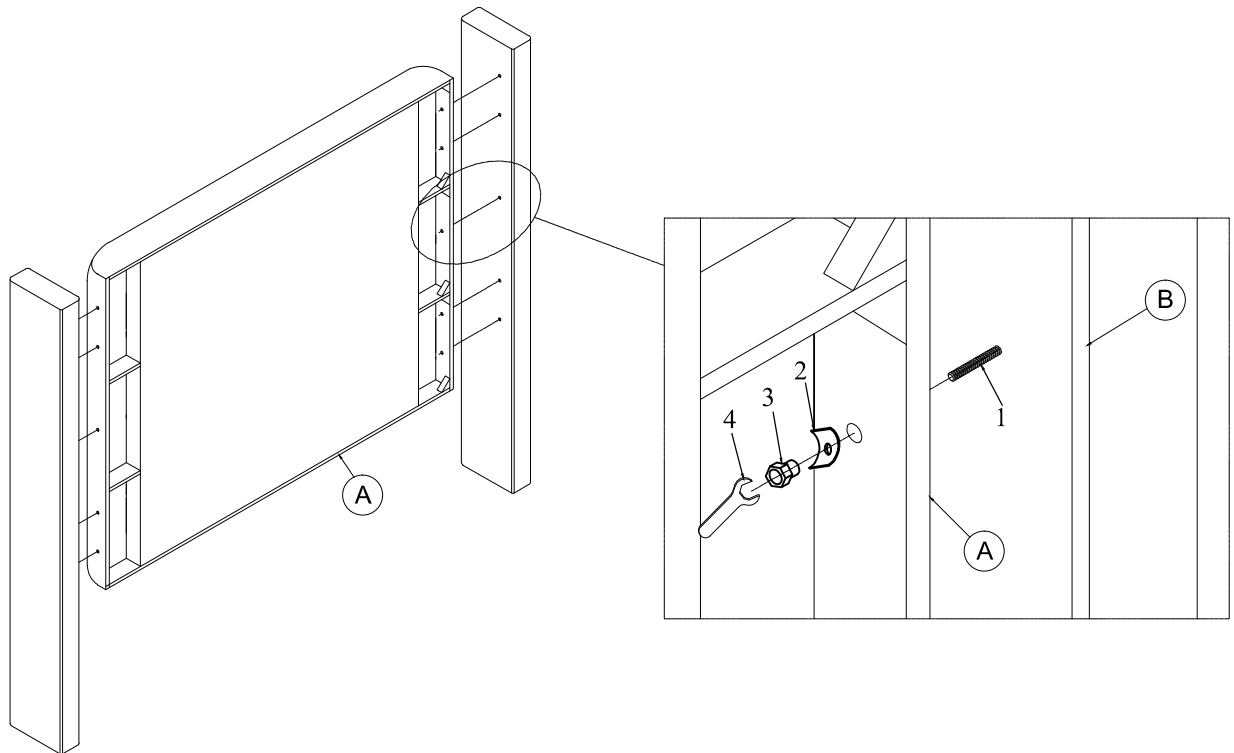
### HARDWARE LIST:

| No. | Description      | Sketch                                                                            | Size                      | Quantity |
|-----|------------------|-----------------------------------------------------------------------------------|---------------------------|----------|
| 1   | Full-thread bolt |  | Ø $\frac{5}{16}$ " x 80mm | 18 PCS   |
| 2   | Curve washer     |  | Ø $\frac{5}{16}$ "        | 18 PCS   |
| 3   | Hex nut          |  | Ø $\frac{5}{16}$ " x 18mm | 18 PCS   |
| 4   | Open Wrench      |  | 1/2" x 90 mm              | 1 PC     |
| 5   | Screw            |  | Ø4 x 30mm                 | 8 PCS    |

### PARTS LIST:

| No. | Description            | Sketch                                                                                | Quantity |
|-----|------------------------|---------------------------------------------------------------------------------------|----------|
| A   | Headboard              |    | 1PC      |
| B   | H/B side panel (L & R) |    | 2 PCS    |
| C   | Footboard              |    | 1 PC     |
| D   | Bed Side Rail          |    | 2PCS     |
| E   | Slat                   |   | 4 PCS    |
| F   | Support Legs           |  | 8 PCS    |

### Step 1:



**Step 1:** Attach Headboard (A) to H/B side panel (B) by using by using Full-thread bolt (1), Curve washer (2), Hex nut (3) and Open wrench (4).

# ASSEMBLY INSTRUCTIONS

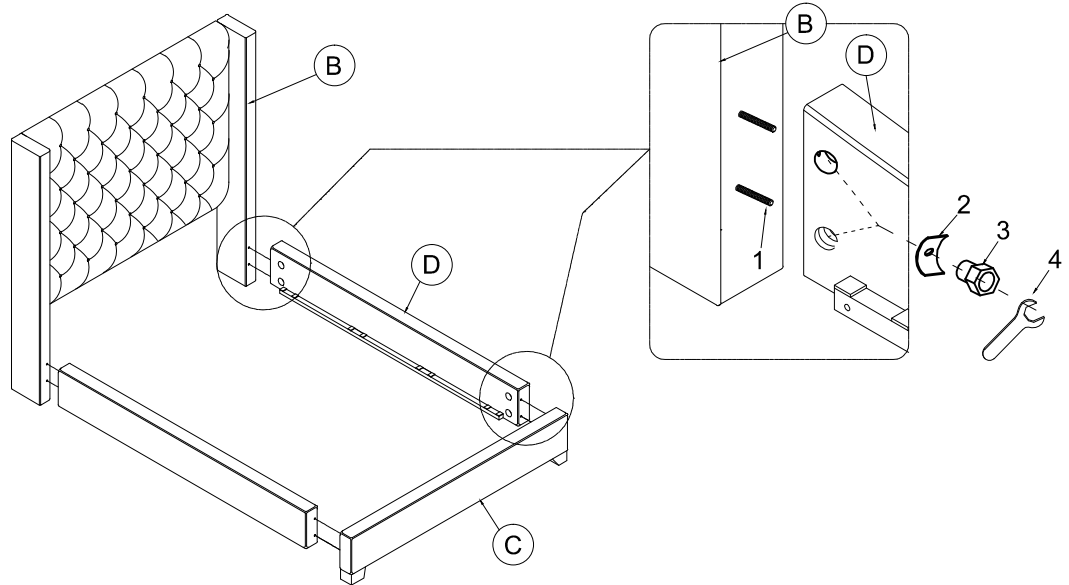
**GROUP NO.: 94250 WESTERLY**

**ITEM NO.: 94251 BED, 5/0 UPH**

DEAR CUSTOMER,

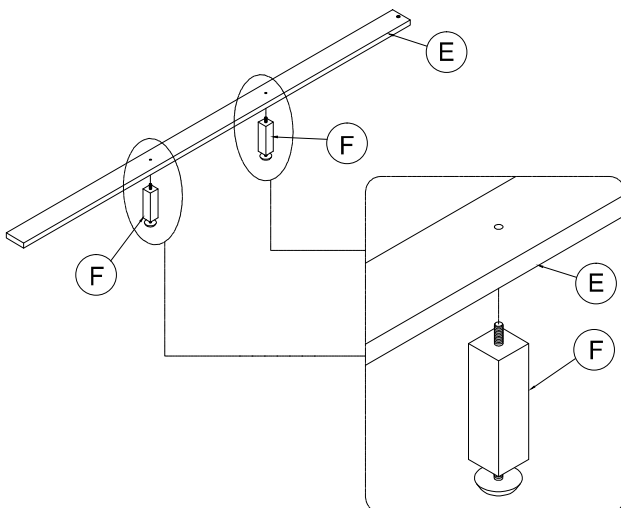
Caution: Please read all instructions before assembly and check the carton for any parts that may have come loose during shipment. It is recommended to use two or more persons during the assembly process.

## Step 2:



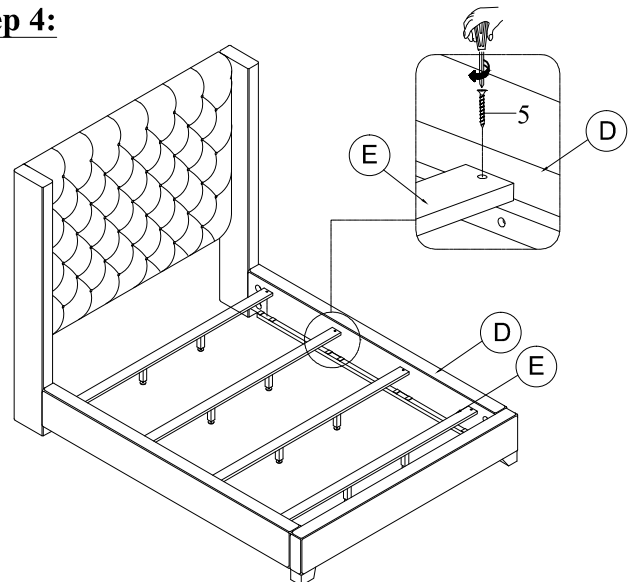
**Step 2:** Attach Bed side rail (D) to Footboard (C) and H/B side panel (B) by using Full-thread bolt (1), Curve washer (2), Hex nut (3) and Open wrench (4).

## Step 3:



**Step 3:** Attach Support Legs (F) to Slat (E).

## Step 4:



**Step 4:** Attach Slat (E) to Bed side rail (D) by using Screw (5) and Screw driver (not include).

# ASSEMBLY INSTRUCTIONS






**GROUP NO.: 94250 WESTERLY**

**ITEM NO.: 94261 BED, 6/6 UPH**

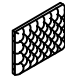
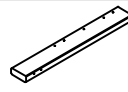
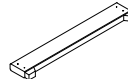
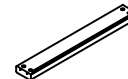
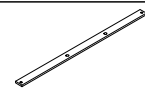

DEAR CUSTOMER,

Caution: Please read all instructions before assembly and check the carton for any parts that may have come loose during shipment. It is recommended to use two or more persons during the assembly process.

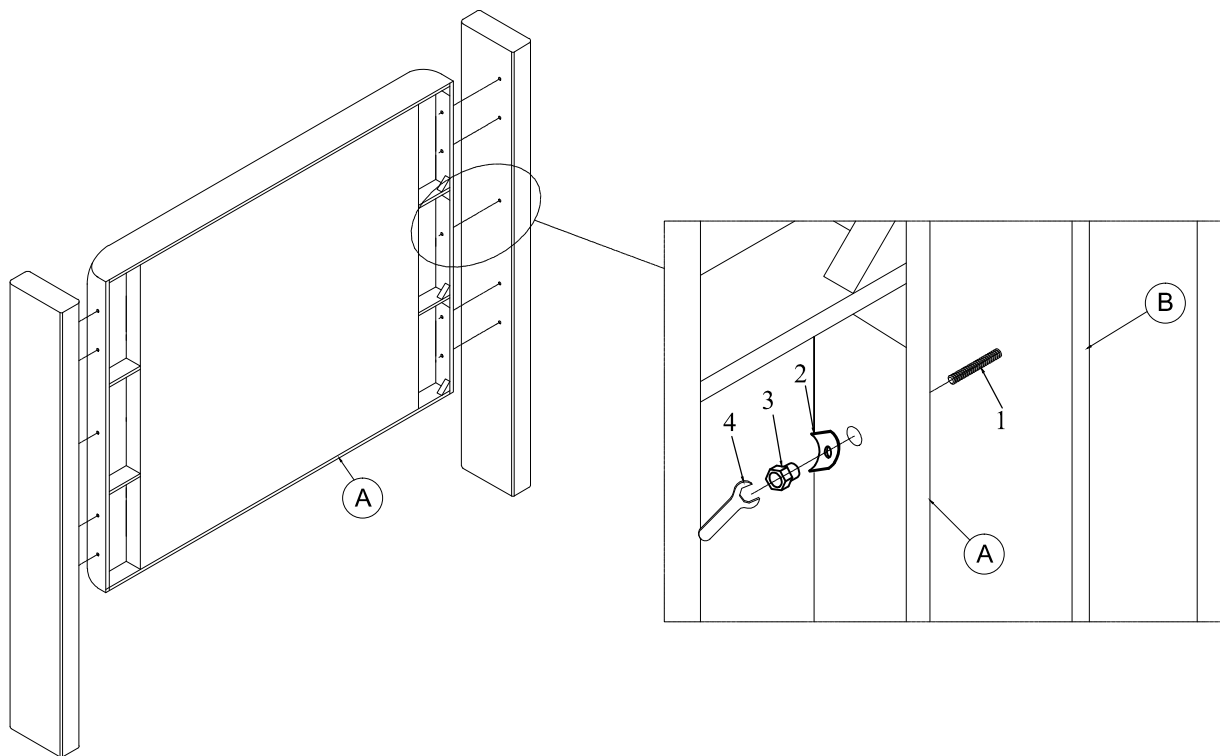
### HARDWARE LIST:

| No. | Description      | Sketch                                                                            | Size                      | Quantity |
|-----|------------------|-----------------------------------------------------------------------------------|---------------------------|----------|
| 1   | Full-thread bolt |  | Ø $\frac{5}{16}$ " x 80mm | 18 PCS   |
| 2   | Curve washer     |  | Ø $\frac{5}{16}$ "        | 18 PCS   |
| 3   | Hex nut          |  | Ø $\frac{5}{16}$ " x 18mm | 18 PCS   |
| 4   | Open Wrench      |  | 1/2" x 90 mm              | 1 PC     |
| 5   | Screw            |  | Ø4 x 30mm                 | 8 PCS    |

### PARTS LIST:

| No. | Description            | Sketch                                                                                | Quantity |
|-----|------------------------|---------------------------------------------------------------------------------------|----------|
| A   | Headboard              |    | 1PC      |
| B   | H/B side panel (L & R) |    | 2 PCS    |
| C   | Footboard              |    | 1 PC     |
| D   | Bed Side Rail          |    | 2PCS     |
| E   | Slat                   |   | 4 PCS    |
| F   | Support Legs           |  | 8 PCS    |

### Step 1:



**Step 1:** Attach Headboard (A) to H/B side panel (B) by using by using Full-thread bolt (1), Curve washer (2), Hex nut (3) and Open wrench (4).

# ASSEMBLY INSTRUCTIONS

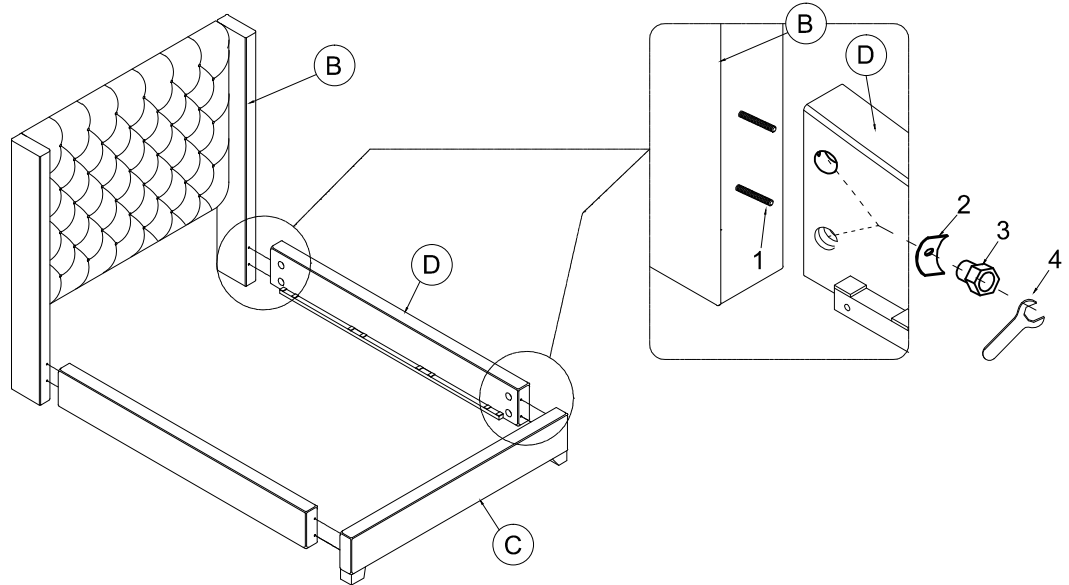
**GROUP NO.: 94250 WESTERLY**

**ITEM NO.: 94261 BED, 6/6 UPH**

DEAR CUSTOMER,

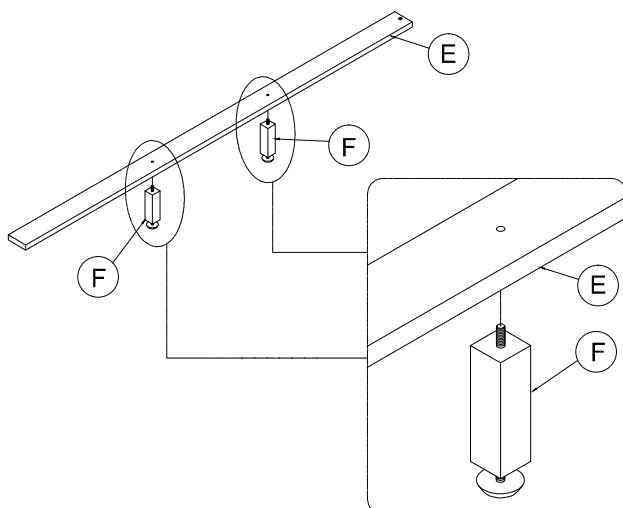
Caution: Please read all instructions before assembly and check the carton for any parts that may have come loose during shipment. It is recommended to use two or more persons during the assembly process.

## Step 2:



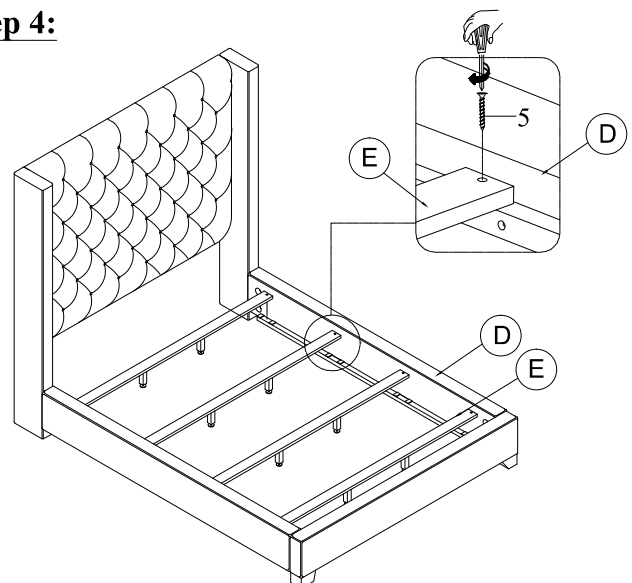
**Step 2:** Attach Bed side rail (D) to Footboard (C) and H/B side panel (B) by using Full-thread bolt (1), Curve washer (2), Hex nut (3) and Open wrench (4).

## Step 3:



**Step 3:** Attach Support Legs (F) to Slat (E) .

## Step 4:



**Step 4:** Attach Slat (E) to Bed side rail (D) by using Screw (5) and Screw driver (not include).