



STANDARD  
furniture

# ASSEMBLY INSTRUCTION

GROUP NO.: 14140 CABANAS DR

ITEM NO.: 14141 - DINING TABLE W/18' LEAF

**Read instruction carefully prior to assembly.**

Thank you for purchasing this quality product. Check carefully for small parts which may come loose during shipment. Remove all components from pack and place top down on soft surface such as carpet or cloth to prevent scratching the finish. Identify and count all parts as specified below.

**It is recommended to use two or more person during the assembly process.**

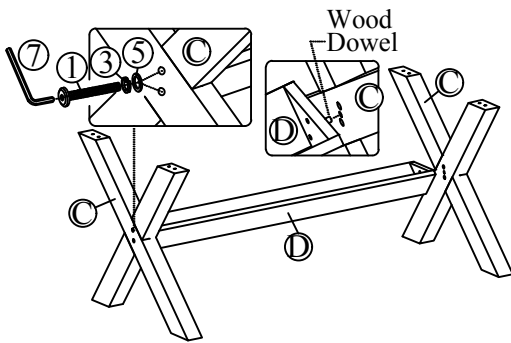
## HARDWARE LIST:

No.	Description	Sketch	Size	Qty'
1	Long Bolt		$\phi 5/16$ " x 50mm	4 pcs
2	Short Bolt		$\phi 5/16$ " x 40mm	8 pcs
3	Lock Washer		$\phi 5/16$ " x 13mm	12 pcs
4	Big Flat Washer		$\phi 5/16$ " x 19mm	8 pcs
5	Small Flat Washer		$\phi 5/16$ " x 12mm	4 pcs
6	Table's Screw		4mm x 30mm	12 pcs
7	Allen Key		4 mm	1 pc

## PART LIST:

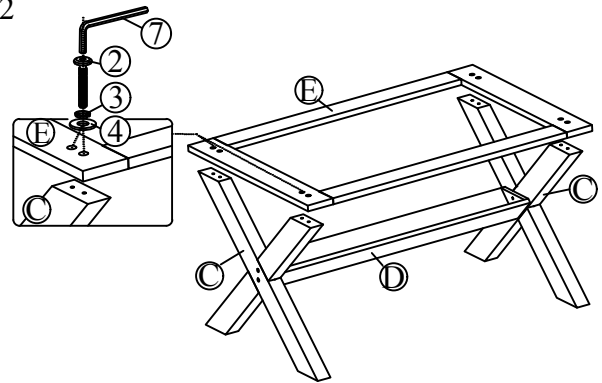
No.	Description	Sketch	Qty'
A	Table Top		1 pc
B	Table Leaf		1 pc
C	Table Leg		2 pcs
D	Stretcher Support		1 pc
E	Mounting Plate		1 pc
F	Wood Plug Decor		2 pcs

### Step 1



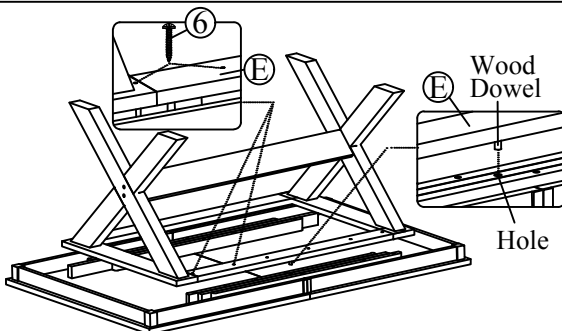
**Step 1:** Align the Wood Dowel of the Stretcher Support (D) to the middle hole on the Table Leg (C). Attach 2 Table Legs (C) to the Stretcher Support (D) by using Small Flat Washer (5), Lock Washer (3) and Long Bolt (1) with Allen Key (7). Do not fully tighten.

### Step 2



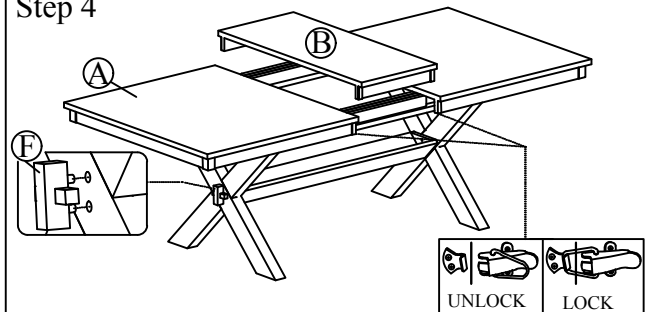
**Step 2:** Attach the Mounting Plate (E) to the assembly base in Step 1 by using Short Bolt (2), Lock Washer (3), Big Flat Washer (4) and fully tighten with Allen Key (7). Do not over tighten.

### Step 3



**Step 3:** Place the Table Top (A) upside down on a piece of cloth or carpet to prevent finish from scratching. Aligning the Wood Dowel on the Mounting Plate (E) to the pre-drilled hole on the table slide of Table Top (A). Attach the assembly Base in step 2 to the Table Slide of the Table Top (A) by using Table's Screw (6) and fully tighten with Phillips-head screw driver (not provided).

### Step 4



**Step 4:** Turn the Table to upright position and fully tighten all Bolts and Screws. Attach Wood Plug Decor (F) to the Table Leg (C) by aligning the Wood Dowel of the Wood Plug Decor (F) to the pre-drilled hole out side of Table Leg (C).

Unlock the Latch and pull the Table Top (A) from both ends. Insert Table Leaf (B) to the middle of Table Top (A), close the Table Top (A) by pushing from both ends. Lock the latch to prevent from sliding. Assembly product is now completed.

**Cleaning instructions: Clean using soft cloth**

**Made in Vietnam**



**STANDARD**  
furniture

# ASSEMBLY INSTRUCTION

GROUP NO.: 14140 CABANAS DR

ITEM NO.: 14144 - DINING SIDE CHAIR

**Read instruction carefully prior to assembly.**

Thank you for purchasing this quality product. Check carefully for small parts which may come loose during shipment. Remove all components from pack and place top down on soft surface such as carpet or cloth to prevent scratching the finish. Identify and count all parts as specified below.

**It is recommended to use one person during the assembly process.**

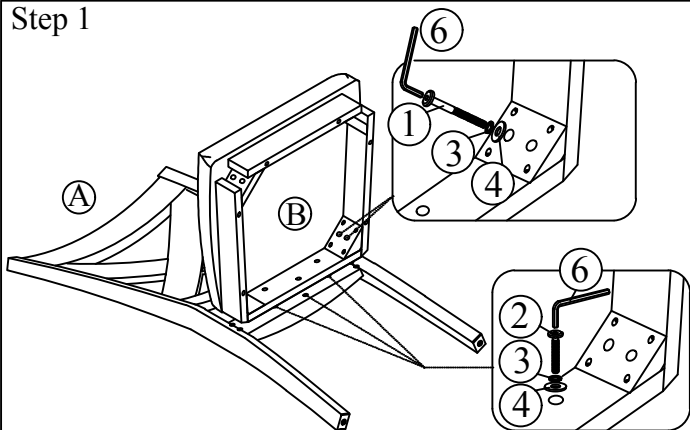
## HARDWARE LIST:

No.	Description	Sketch	Size	Qty'
1	Long Bolt		$\phi\frac{1}{4}$ " x 75mm	4 pcs
2	Short Bolt		$\phi\frac{1}{4}$ " x 40mm	3 pcs
3	Lock Washer		$\phi\frac{5}{16}$ " x 13mm	11 pcs
4	Flat Washer		$\phi\frac{5}{16}$ " x 19mm	11 pcs
5	Hex Nut		$\phi\frac{5}{16}$ " x 12mm	4 pcs
6	Allen Key		4 mm	1 pc
7	Open Wrench		12 mm	1 pc
8	Chair's Screw		4 mm x40 mm	4 pcs

## PART LIST:

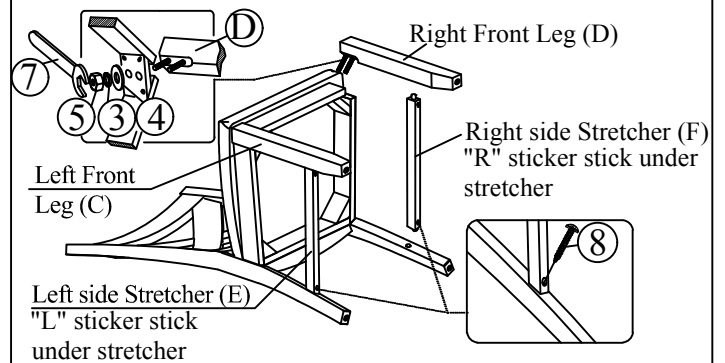
No.	Description	Sketch	Qty'
A	Chair Back		1 pc
B	Seat Cushion Frame		1 pc
C	Left Front Leg		1 pc
D	Right Front Leg		1 pc
E	Left Side Stretcher		1 pc
F	Right Side Stretcher		1 pc

### Step 1



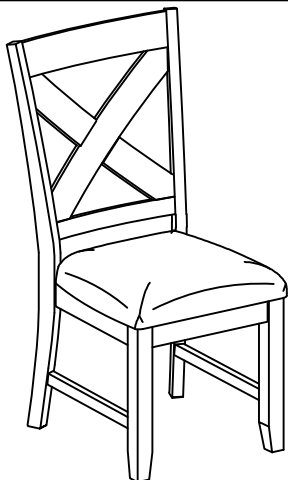
**Step 1:** Attach Seat Cushion Frame (B) to Chair Back (A) by securing the Flat Washer (4), Lock Washer (3), Short Bolt (2) on back rail and Long Bolt (1) onto Corner with Allen Key (6). Do not fully tighten.

### Step 2



**Step 2:** Attach the Left and Right Front Legs (C);(D) to seat frame using Flat washer (4), Lock washer (3) and Hex nut (5) by using Open Wrench (7) (do not fully tighten). Attach the Left & Right side of Stretcher (E);(F) to left and right of Front Leg and Chair back by securing the Chair's Screw (8) with Phillips screw drivers (not provided).

### Step 3



**Step 3:** Place the chair on flat surface and adjust legs so that chair is level and does not wobble. Tighten all Bolts and Hex nut with Allen key (6) and Open Wrench (7) provided. Assembly product is completed.

**Cleaning instructions:** Clean using soft cloth  
Made in Vietnam



**STANDARD**  
furniture

# ASSEMBLY INSTRUCTION

GROUP NO.: 14140 CABANAS DR

ITEM NO.: 14145 - BENCH

**Read instruction carefully prior to assembly.**

Thank you for purchasing this quality product. Check carefully for small parts which may come loose during shipment. Remove all components from pack and place top down on soft surface such as carpet or cloth to prevent scratching the finish. Identify and count all parts as specified below.

**It is recommended to use one person during the assembly process.**

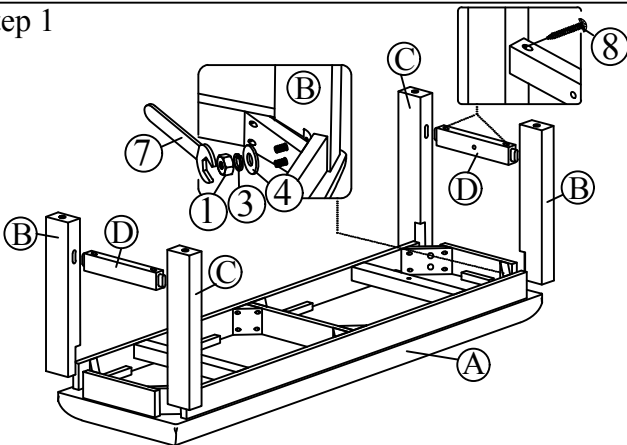
## HARDWARE LIST:

No.	Description	Sketch	Size	Qty'
1	Hex Nut		$\phi 5/16"$ x 12mm	8 pcs
2	Allen Bolt		$\phi 1/4"$ x 40mm	4 pcs
3	Lock Washer		$\phi 5/16"$ x 13mm	12 pcs
4	Big Flat Washer		$\phi 5/16"$ x 19mm	8 pcs
5	Small Flat Washer		$\phi 1/4"$ x 12mm	4 pcs
6	Allen Key		4 mm	1 pc
7	Open Wrench		12 mm	1 pc
8	Bench 's Screw		4 mm x45 mm	4 pcs

## PART LIST:

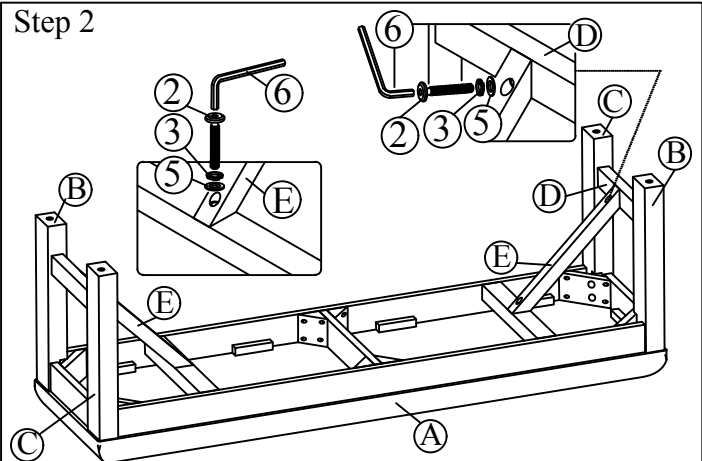
No.	Description	Sketch	Qty'
A	Bench Cushion Frame		1 pc
B	Left Front Leg or Right Back Leg		2 pcs
C	Right Front Leg or Left Back Leg		2 pcs
D	Side Stretcher		2 pcs
E	Center Stretcher		2 pcs

### Step 1



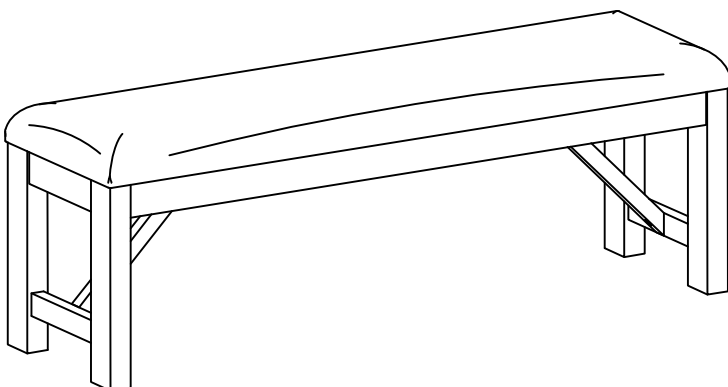
**Step 1:** Attach the Left Front Leg / Right Back Leg (B) and Right Front Leg / Left Back Left (C) to Bench Cushion Frame (A) by securing the Big Flat Washer (4), Lock Washer (3), Hex Nut (1) and OpenWrench (7). Do not fully tighten. Attach Side Stretcher (D) to the middle of 2 Legs (B),(C) by using Bench 's Screw (8) and tighten with Phillips screw drivers (not provided)

### Step 2



**Step 2:** Attach Center Stretcher (E) to the Support Bar of Bench Cushion Frame (A) and to the Side Stretcher (D) by securing the Small Flat Washer (5), Lock Washer (3), Allen Bolt (2), tighten with Allen Key (6). Do not fully tighten.

### Step 3



**Step 3:** Place the Bench on flat surface and adjust legs so that Bench is level and does not wobble. Tighten all Bolts and Hex nut with Allen key (6) and Open Wrench (7) provided. Assembly product is completed.

**Cleaning instructions:** Clean using soft cloth  
Made in Vietnam