



# ASSEMBLY INSTRUCTIONS

**GROUP No.: 20280 LANGSTON DARK OCC**  
**ITEM No.: 20283 TABLE,3-PACK ONLY**

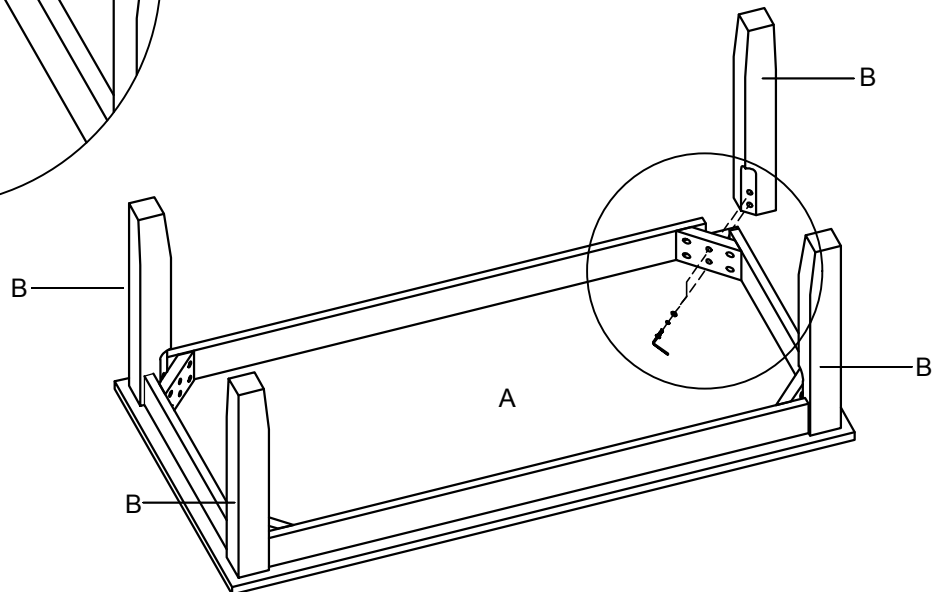
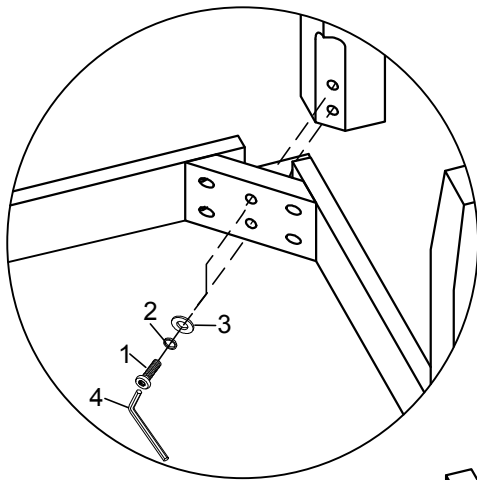
**Read instructions carefully prior to assembly.**

Thank you for purchasing this quality product. Check carefully for small parts which may come loose during shipment. Remove all components from pack and place top down on soft surface such as carpet or cloth to prevent scratching the finish. Identify and count all parts as specified below.

**It is recommended to use two or more persons during the assembly process.**

Hardware List For Cocktail Table				
No.	Description	Sketch	Size	Q.ty
1	Allen Bolt		5/16 x70mm	8 pcs
2	Spring Washer		5/16 x Ø11 x 1mm	8 pcs
3	Flat Washer		5/16 x Ø16 x 2mm	8 pcs
4	Allen Key		M4x58x23	1 pc

Parts List			
No.	Description	Sketch	Q.ty
A	Cocktail Table TopW/Apron		1 pc
B	Cocktail Legs Table		4 pcs



Cocktail Table Top W/Apron (A) upside down on soft surface such as carpet or cloth;  
 Cocktail Table Legs (B) to the Cocktail Table Top W/Apron (A) using the bolt (1), Spring Washers (2), and flat Washer (3) Tight by allen key(4). Do not tight all the bolts at this moment.

**Cleaning instructions: Clean using soft cloth**

Made in Vietnam



# ASSEMBLY INSTRUCTIONS

**GROUP No.: 20280 LANGSTON DARK OCC**  
**ITEM No.: 20283 TABLE,3-PACK ONLY**

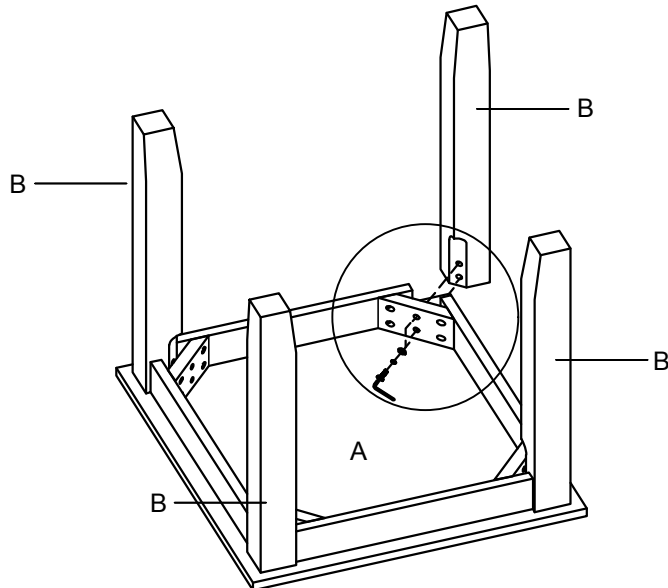
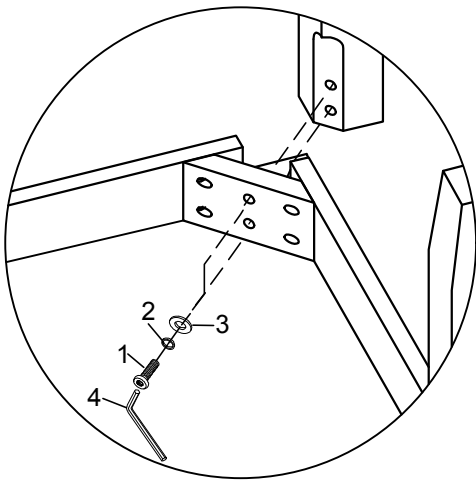
**Read instructions carefully prior to assembly.**

Thank you for purchasing this quality product. Check carefully for small parts which may come loose during shipment. Remove all components from pack and place top down on soft surface such as carpet or cloth to prevent scratching the finish. Identify and count all parts as specified below.

**It is recommended to use two or more persons during the assembly process.**

Hardware List For End Table				
No.	Description	Sketch	Size	Q.ty
1	Allen Bolt		5/16 x70mm	8 pcs
2	Spring Washer		5/16 x Ø11 x 1mm	8 pcs
3	Flat Washer		5/16 x Ø16 x 2mm	8 pcs
4	Allen Key		M4x58x23	1 pc

Parts List			
No.	Description	Sketch	Q.ty
A	End Table Top W/Apron		1 pc
B	End Table Legs		4 pcs



End Table Top W/Apron (A) upside down on soft surface such as carpet or cloth;  
 End Table Legs (B) to the Cocktail Table Top W/Apron (A) using the bolt (1), Spring Washers (2), and flat Washer (3) Tight by allen key(4). Do not tight all the bolts at this moment.

**Cleaning instructions: Clean using soft cloth**

Made in Vietnam