

ASSEMBLY INSTRUCTIONS

tidewater

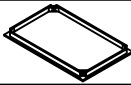

GROUP NO.: 22240 EAST PARK

ITEM NO.: 22243 TABLE, 3-PACK (COCKTAIL TABLE)

Read instructions carefully prior to assembly.

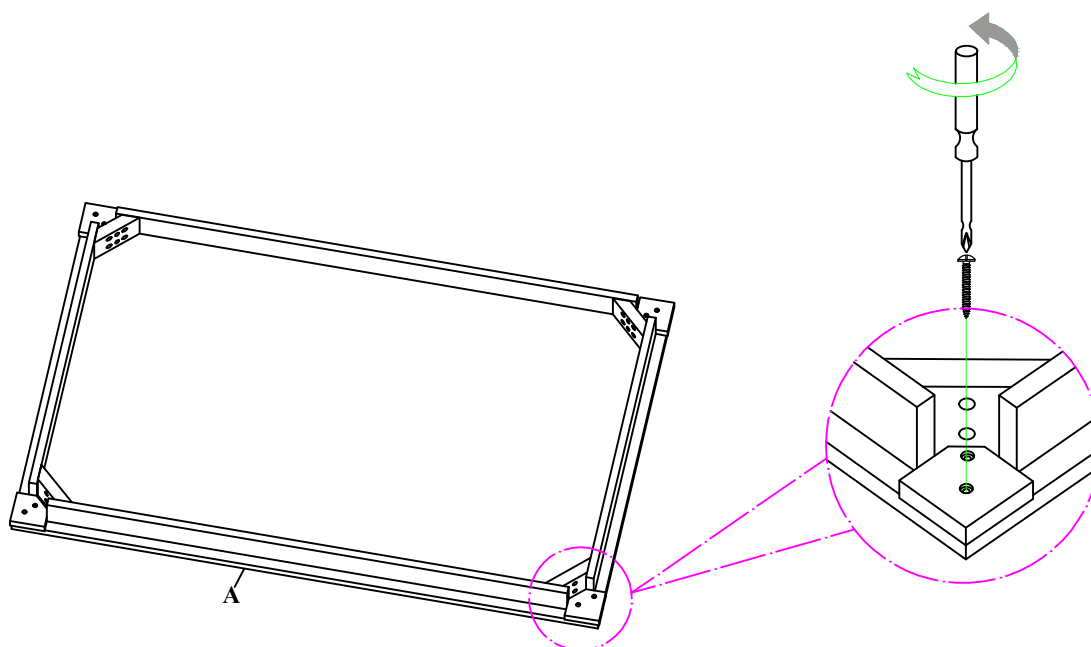
Thank you for purchasing this quality product. Check carefully for small parts which may come loose during shipment. Remove all components from pack and place top down on soft surface such as carpet or cloth to prevent scratching the finish. Identify and count all parts as specified below.

It is recommended to use two of more person during the assembly process.

PARTS LIST:			
NO.	Description	Sketch	Q.TY
A	Table Top		1 pc
B	Table Leg		4 pcs

HARDWARE LIST:				
NO.	Description	Sketch	Q.TY	
1	Allen Bolt		M6 x 45mm	8 pcs
2	Flat washer		M6	8 pcs
3	Spring washer		M6 x 18mm	8 pcs
4	Allen Key		4mm	1pc

Step 1: Turn up the Table Top (A), take out the MDF corner protect by using Screw Driver (not provide).



ASSEMBLY INSTRUCTIONS

tidewater

GROUP NO.: 22240 EAST PARK

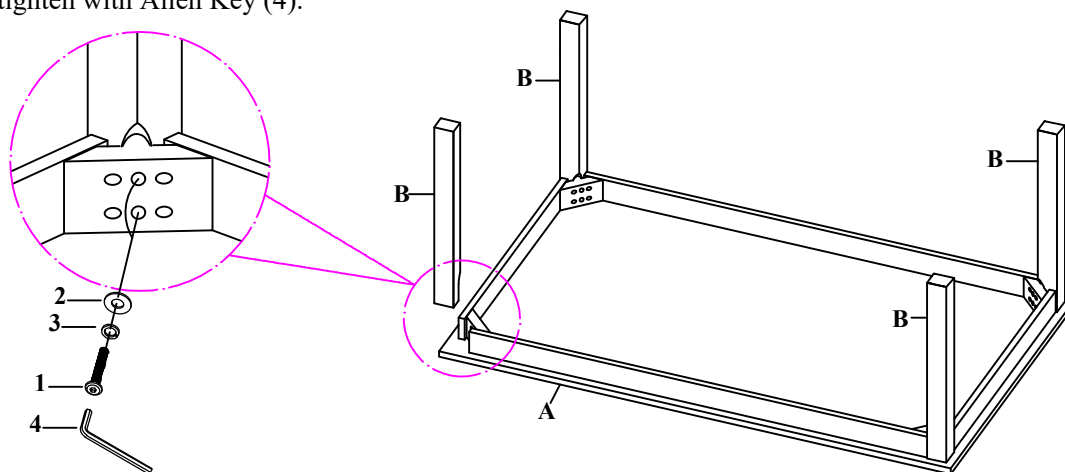
ITEM NO.: 22243 TABLE, 3-PACK (COCKTAIL TABLE)

Read instructions carefully prior to assembly.

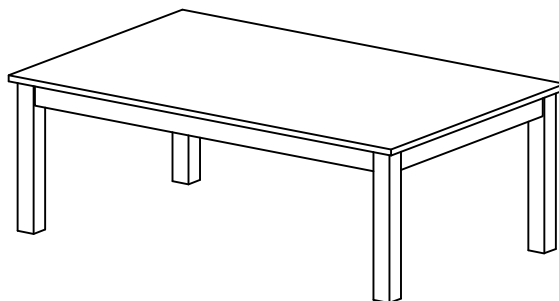
Thank you for purchasing this quality product. Check carefully for small parts which may come loose during shipment. Remove all components from pack and place top down on soft surface such as carpet or cloth to prevent scratching the finish. Identify and count all parts as specified below.

It is recommended to use two or more persons during the assembly process.

Step 2: Attach the Table Leg (B) to Table Top (A) by using Flat Washer (2), Spring Washer (3), Allen Bolt (1) and fully tighten with Allen Key (4).



Step 3: Turn the Table to upright position on flat surface. Assembly product is now completed



Cleaning instructions: Clean using soft cloth
Made in Malaysia


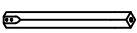
ASSEMBLY INSTRUCTIONS





GROUP NO.: 22240 EAST PARK
ITEM NO.: 22243 TABLE, 3-PACK (END TABLE)

Read instructions carefully prior to assembly.

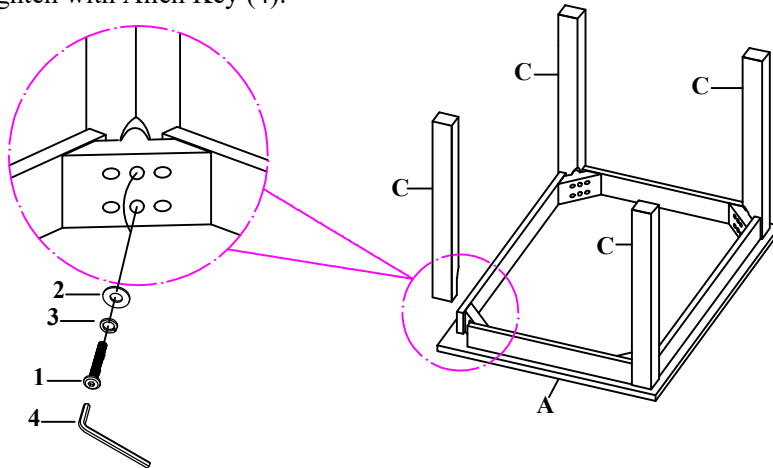
Thank you for purchasing this quality product. Check carefully for small parts which may come loose during shipment. Remove all components from pack and place top down on soft surface such as carpet or cloth to prevent scratching the finish. Identify and count all parts as specified below.

It is recommended to use two of more person during the assembly process.

PARTS LIST:			
NO.	Description	Sketch	Q.TY
A	Table Top		1 pc
C	Table Leg		4 pcs

HARDWARE LIST:				
NO.	Description	Sketch	Q.TY	
1	Allen Bolt		M6 x 45mm 8 pcs	
2	Flat washer		M6 8 pcs	
3	Spring washer		M6 x 18mm 8 pcs	
4	Allen Key		4mm 1pc	

Step 1: Attach the Table Leg (C) to Table Top (A) by using Flat Washer (2), Spring Washer (3), Allen Bolt (1) and fully tighten with Allen Key (4).



Step 2: Turn the Table to upright position on flat surface. Assembly product is now completed

