

# ASSEMBLY INSTRUCTIONS

# tidewater






GROUP NO.: 22850 KAY OCC

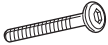






ITEM NO.: 22854 TABLE, 3-PACK (COCKTAIL TABLE)

**Read instructions carefully prior for assembly.**

Thank you for purchasing this product. Be sure to check all packing material carefully for small parts that may have come loose inside the carton during shipment. Remove all components from pack and place on soft surface to prevent scratch during assembly. Identify and count all parts as specified below.

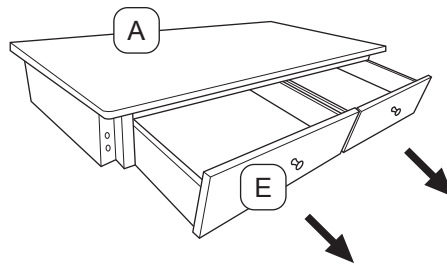
**It is recommended to use or more persons during the assembly process.**

Parts List (1 pc)			
No	Description	Sketch	Qty
A	Table Top		1 Pc
B	Table Leg 1		2 Pcs
C	Table Leg 2		2 Pcs
D	Bottom Shelf		1 Pc
E	Drawer		2 Pcs

Hardware List			
No	Description	Sketch	Qty
1	JCBC Screw M6 x 40mm		12 Pcs
2	Allen Key		1 Pc
3	Spring Washer		12 Pcs
4	Flat Washer		12 Pcs
5	CSK Screw M4 x 30mm		16 Pcs
6	Front Caster (Lock)		2 Pcs
7	Back Caster (without Lock)		2 Pcs

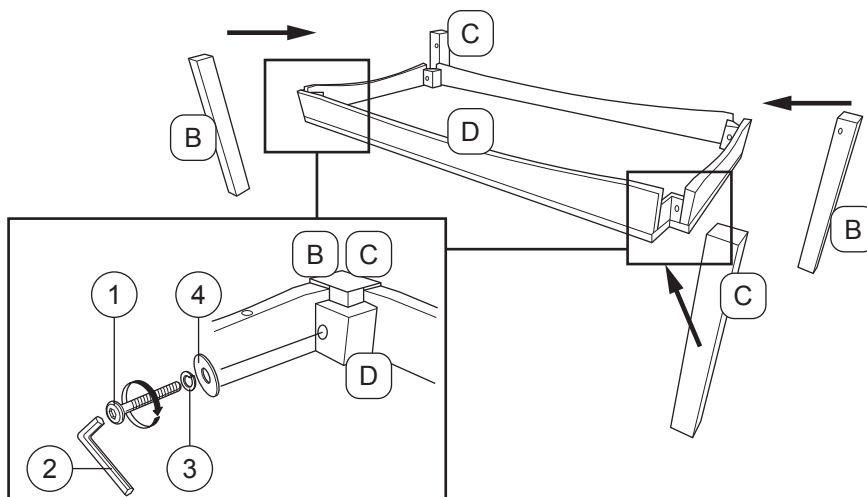
**STEP 1**

Take out the drawer (E) from the Table Top (A).



**STEP 2**

Attach the Leg (B, C) to The Bottom shelf by using the Flat washer (4), Spring washer (3), JCBC Screw (1) and Tighten with Allen Key (2). DO NOT tighten the Bolts.



# ASSEMBLY INSTRUCTIONS

# tidewater

GROUP NO.: 22850 KAY OCC

ITEM NO.: 22854 TABLE, 3-PACK (COCKTAIL TABLE)

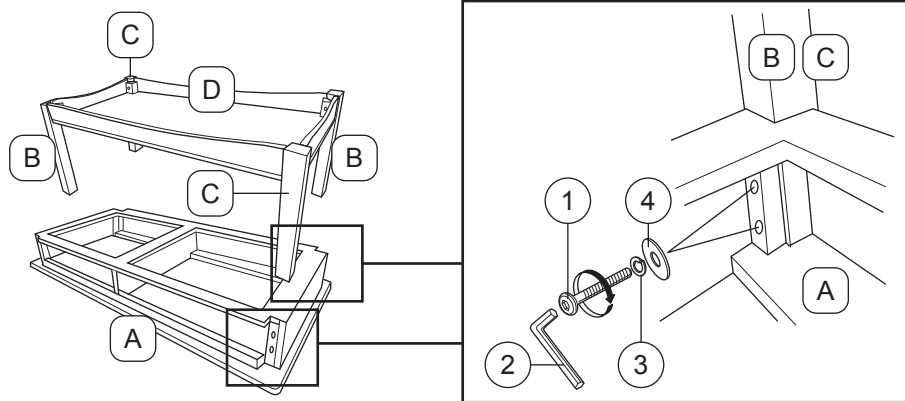
## Read instructions carefully prior for assembly.

Thank you for purchasing this product. Be sure to check all packing material carefully for small parts that may have come loose inside the carton during shipment. Remove all components from pack and place on soft surface to prevent scratch during assembly. Identify and count all parts as specified below.

**It is recommended to use or more persons during the assembly process.**

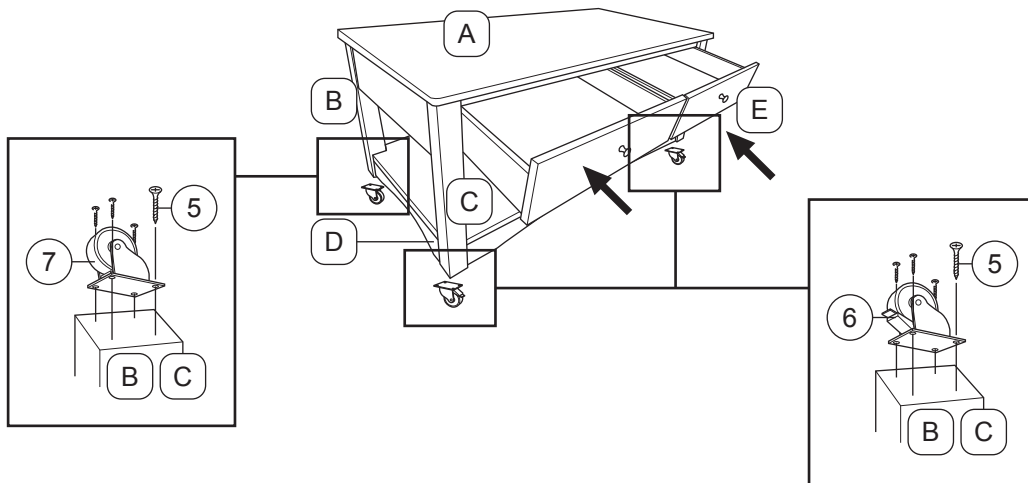
### STEP 3

Attach the Assembly from step 2 to the Table Top (A) by using the Flat washer (4), Spring washer (3), JCBC Screw (1) and Tighten with Allen Key (2). Tighten all the Bolts carefully.



### STEP 4

Attach The Front Caster (6) the Back Caster (7) on the Leg by using CSK Screw (5) by using Screwdriver. Put the drawer (E) into the Table Top (A) as shown.



### STEP 5



COMPLETED ASSEMBLE

# ASSEMBLY INSTRUCTIONS

tidewater





GROUP NO.: 22850 KAY OCC





ITEM NO.: 22854 TABLE, 3-PACK (END TABLE)

**Read instructions carefully prior for assembly.**

Thank you for purchasing this product. Be sure to check all packing material carefully for small parts that may have come loose inside the carton during shipment. Remove all components from pack and place on soft surface to prevent scratch during assembly. Identify and count all parts as specified below.

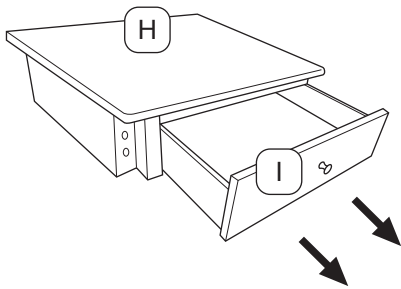
**It is recommended to use or more persons during the assembly process.**

Parts List (1 pc)			
No	Description	Sketch	Qty
F	Table Leg 1		2 Pcs
G	Table Leg 2		2 Pcs
H	Table Top		1 Pc
I	Drawer		1 Pc

Hardware List			
No	Description	Sketch	Qty
1	JCBC Screw M6 x 40mm		8 Pcs
2	Allen Key		1 Pc
3	Spring Washer		8 Pcs
4	Flat Washer		8 Pcs

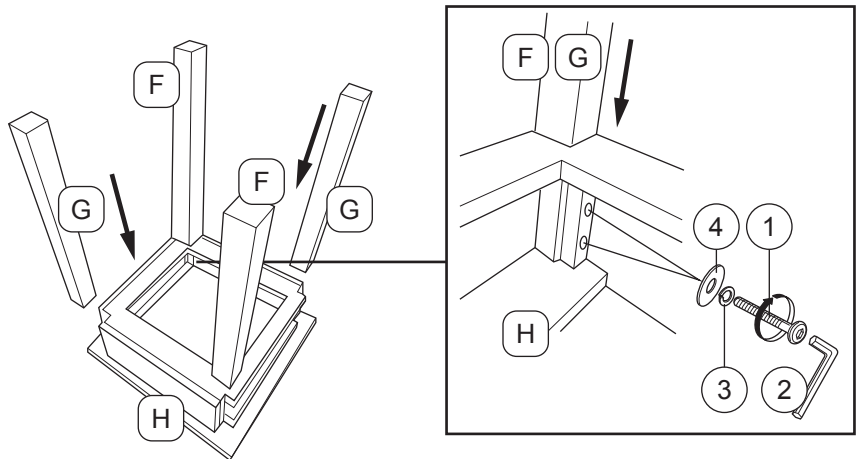
## STEP 1

Take out the drawer (I) from the Table Top (H).



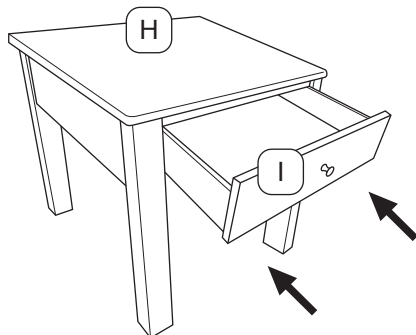
## STEP 2

Attach the Leg (F, G) to the Table top (H) by using the Flat washer (4), Spring washer (3), JCBC Screw (1) and Tighten with Allen Key (2).



## STEP 3

Put the drawer (I) in to the Table Top (H) as shown.



## STEP 4



COMPLETED ASSEMBLE